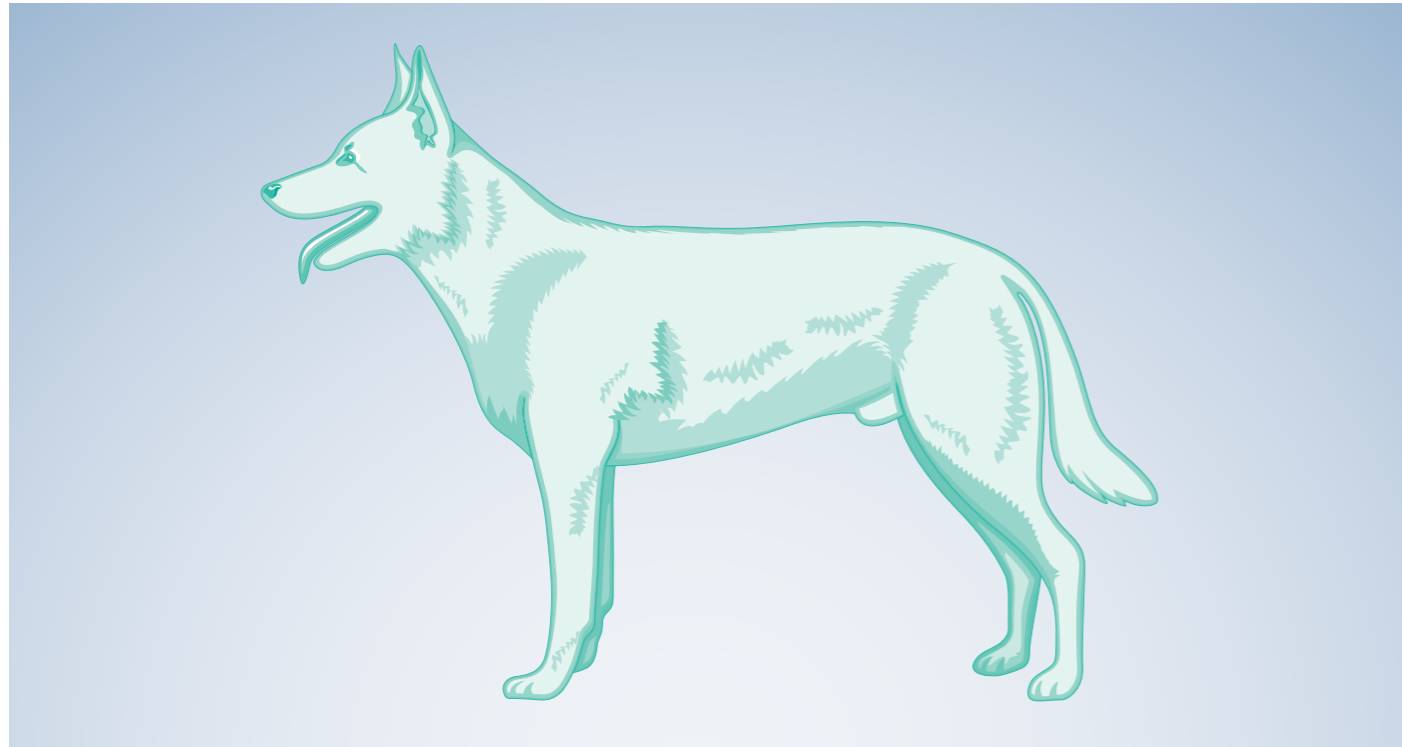


CLIPPERS



CONTENTS

INTRODUCTION



PASSING THE TEST OF TIME: 100+ YEARS OF AESCULAP® CLIPPERS

After being a manufacturer of surgical instruments for 45 years, 1912 marked a further milestone in the successful history of Aesculap® (a B. Braun group company) with the invention of the first electrically operated hair cutting machine. The product range of clippers and cutter heads, including accessories has been continuously expanded over the decades, the range enjoys high market penetration and awareness.

Section 10

Aesculap® Clippers

Aesculap® Clippers and Blades

Aesculap® Fav 5 Clippers

Aesculap® Durati Clippers

Aesculap® Favorita Clippers

Aesculap® Exacta Trimmer

Aesculap® Equipe and Cattle Clippers

Aesculap® Grooming Scissors

Description	Clipper	Blade Type
Aesculap® Fav 5 Corded Clipper		Universal
Aesculap® Fav 5 Cordless Clipper		Universal
Aesculap® Fav 5 Hybrid Clipper Set		Universal
Aesculap® Durati Clipper Set		Universal
Aesculap® Detachable Blades		Universal
Aesculap® Favorita II Clipper		Aesculap® System
Aesculap® Favorita CL Clipper		Aesculap® System
Aesculap® Favorita CL Limited Edition		Aesculap® System
Aesculap® Favorita Blades		Aesculap® System

Description	Clipper	Blade Type
Aesculap® Exacta Trimmer		Aesculap® System
Aesculap® Accurata Trimmer		Aesculap® System
Aesculap® Econom Equipe Clipper Professional Horse Clipper		Universal
Aesculap® Econom Equipe Clipper Cordless Horse Clipper		Universal
Aesculap® Econom II Clipper Large Animal Shearin		Universal
Aesculap® Econom CL Professional Cordless Clipper		Universal
Aesculap® Econom CL Cordless Cattle Clipping		Universal
Aesculap® Bonum® Professional Cordless Clipper		Universal

AESFULAP® FAV 5

CORDED CLIPPER, "GERMAN RED CLIPPER"



Description	Box Size	Article No.
Fav 5 Corded Clipper	1	GT 105A

Technical Data

Drive:	AC Drive	Noise Level:	< 70 dBA
Power:	35 Watts	Cutting strokes:	2300 spm
Voltage:	230 V	Length of cable	12 ft / 4 m
Blade System:	Blade system for all common detachable blades	Supplied With:	Clipper, Detachable Blade #10 US (#7F UK), Hard case, Instruction manual, Oil
Weight:	650g	Application range	Thick coats, full body clips, endurance clips, professional grooming

AESFULAP® FAV 5

CORDLESS SMALL ANIMAL CLIPPER



Description	Box Size	Article No.
Fav 5 Cordless Clipper	1	GT 306A

Technical Data

Drive:	DC Drive / 2300 spm	Running Time	60 min
Battery Technology:	Lithium Ion	Charging Time	50 min
Blade System:	Blade system for all common detachable blades	Supplied With:	Clipper, Detachable Blade #10, Hard case, Oil, 2 x Lithium ion batteries & charger
Weight:	450g (incl. battery pack)	Application range	Thick coats, full body clips, endurance clips, professional grooming

AESFULAP® FAV 5

HYBRID CLIPPERS



Description	Box Size	Article No.
Fav 5 Hybrid Clipper Set	1	GT308
Upgrade Set for Hybrid Clipper (includes two batteries & charging station)	1	GT205A
Hybrid Lithium Ion battery	1	GT201
Hybrid power adaptor	1	GT207

Technical Data

Drive:	DC Motor / 2300 spm	Noise Level	<70dBA
Battery Technology:	Lithium Ion	Cutting Strokes	2300 spm
Blade System:	Blade system for all common detachable blades	Supplied With:	Clipper, Detachable Blade #10, Hard case, Oil, 1 x Adaptor, Operating manual
Weight:	450g (incl. battery pack)	Application range	Thick Coats, full body clips, endurance clips, professional grooming

AESFULAP® DURATI

CORDLESS CLIPPING MACHINE FOR SNAP-ON CLIPPING HEADS



Description	Box Size	Article No.
Durati, signal red, 1 battery	1	XT434-SR
Durati, signal red, 2 batteries	1	XT436-SR
Spare battery	1	XT431

Technical Data

Drive:	DC Motor	Running Time	240 min
Battery Technology:	Lithium Ion, 2850 mAh	Charging Time	240 min
Blade System:	Blade system for all common detachable blades	Supplied With:	Clipper, 1x cutting head (GT330 1.5mm), oil, instructions
Weight:	380g (incl: battery and blade)	Application range	Professional grooming, Dog grooming salons

AESCULAP® UNIVERSAL DETACHABLE BLADES

FOR USE WITH FAV 5, OSTER, ANDIS AND WAHL CLIPPERS



#50 (0.2mm)
GT305



#40 (0.25mm)
GT310



#30 (0.05mm)
GT317



#000 (0.5mm)
GT315



#5/8 (0.08mm)
GT320



#7/8 (0.8mm)
GT323



#15 (1.2mm)
GT326



#0A (1.2m)
GT328



#10 (1.5mm)
GT330



#9 (2.0mm)
GT333



#1 (2.4mm)
GT336



#10W (2.4mm)
GT339



8^{1/2} (2,8mm)
GT341



#7 (3.0mm)
GT343



#1A (3.2mm)
GT349



#1\5 (4.0mm)
GT353



#5 (6.3mm)
GT357



#5F (6.3mm)
GT360



#4F (9.5mm)
GT364



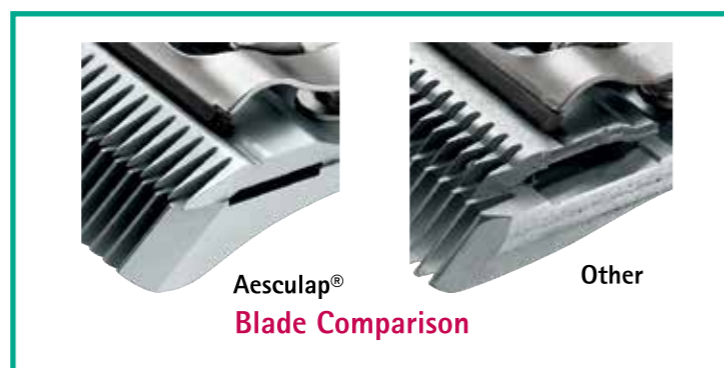
#4 (9.5mm)
GT366



#0000 (1/20mm)
GT313



#7F (3.2mm)
GT345



AESCULAP® FAVORITA II

PROFESSIONAL SMALL ANIMAL CLIPPER



Description	Box Size	Article No.
Favorita II Clipper	1	GT 104A

Technical Data			
Drive:	AC Drive	Noise Level:	< 70 dBA
Power:	35 Watts	Cutting strokes:	2300 spm
Voltage:	230V	Length of cable	12 ft / 4 m
Blade System:	Aesculap® Favorita Blade system	Supplied With:	Clipper, Detachable Blade #10, Hard case, Instruction manual, Oil
Weight:	650g	Application:	Professional grooming, Thick coats, full body clips, endurance clips

AESCULAP® FAVORITA CL

LIMITED EDITION



Description	Box Size	Article No.
Favorita CL Special Edition clipper (includes oil, Special Edition 5mm blade)	1	GT226A
Favorita Charger	1	GT203
Favorita Lithium Ion battery	1	GT201

Technical Data			
Drive:	DC Drive / 2300 spm	Running Time	60 min
Battery Technology:	Lithium Ion	Charging Time	50 min
Blade System:	Aesculap® Favorita Blade System	Supplied With:	Clipper, Hard case, Oil, 2 x Lithium ion batteries & charger
Weight:	475g (incl. battery pack)	Application range	Professional grooming, Dog grooming salons

AESCULAP® FAVORITA CL

CORDLESS CLIPPERS



Description	Box Size	Article No.
Favorita CL clipper (includes oil)	1	GT206A
Favorita Charger	1	GT203
Favorita Lithium Ion battery	1	GT201

Technical Data			
Drive:	DC Motor / 2300 spm	Running Time	60 min
Battery Technology:	Lithium Ion	Charging Time	50 min
Blade System:	Aesculap® Favorita Blade system	Supplied With:	Clipper, Blade #10, Hard case, Oil, 2 x Lithium ion batteries & charger
Weight:	450g (incl. battery pack)	Application range	Professional grooming, Dog grooming salons

AESCULAP® FAVORITA BLADES

CORDLESS SMALL ANIMAL CLIPPER

The Favorita blades have a unique system which allows the tension of the blade to be manually adjusted according to the type of coat.

If the cutting quality is decreasing you can improve the efficiency temporarily by increasing the tension, so the blades can be used for longer.



GH700 (0.05mm) GH703 (0.1mm) GH730 (0.5mm) GH712 (1mm) GT736 (1mm) GT746 (1.5mm) GT710 (1.8mm) GT742 (2mm) GT715 (2mm) GT754 (3mm)



GT748 (3mm) GT758 (5mm) GT770 (7mm) GT779 (9mm) GT782 (12mm) GT784 (16mm) GT772 (0.7mm) GT749 (2.8mm)

AESCULAP® EXACTA

CORDLESS SMALL ANIMAL TRIMMER



Description	Box Size	Article No.
Exacta Trimmer	1	GT415A
Exacta replacement blade	1	GT608

Technical Data			
Drive:	DC Motor / 5700 rpm	Running Time	40 min
Voltage:	220-240V	Charging Time	60 min
Blade System:	Aesculap® Special	Weight:	120g
Cutting Length:	0.5mm	Supplied With:	Clipper, snap-on comb, brush, oil, charging station with tools, operating manual
Cutting Width:	24mm	Application range	Professional grooming, Dog grooming salons Trimming of delicate parts eg. paws and ears Designed for daily, continuous use

AESCULAP® AKKURATA

CORDLESS SMALL ANIMAL TRIMMER



Description	Box Size	Article No.
Akkurata Trimmer	1	GT405A
Akkurata replacement blade	1	GT606

Technical Data			
Drive:	DC Motor / 5700 rpm	Running Time	100 min
Battery Technology:	Lithium Ion	Charging Time	60 min
Blade System:	Aesculap® Special	Weight:	<250g (incl: battery and blade)
Cutting Length:	3 x adjustable: 0.5mm, 1.5mm and 2.5mm	Supplied With:	Clipper, 5 x snap-on combs, brush, oil, charging station with tools, operating manual
Cutting Width:	40mm	Application range	Professional grooming, Dog grooming salons

AESFULAP® ECONOM EQUIPE

PROFESSIONAL HORSE CLIPPING MACHINE



Description		Box Size	Article No.
Econom equipe	Includes Upper cut plate (GT505) and lower cut plate (GT 502)	1	GT 674A

Technical Data

Noise Level:	<70 dB(A)	Weight (excl. cable):	1,200 g
Rated Current:	160 Watts	Supplied With:	Clipper, upper plate, lower plate, oil, hard case, operating manual two blades
Stroke Rate:	2,200 / min	Application Range:	Horses, large Dogs, Tick clips

AESFULAP® ECONOM EQUIPE CL

CORDLESS HORSE CLIPPING MACHINE



Description		Box Size	Article No.
Econom CL (including 1 battery)	Includes Upper cut plate (GT 505) and lower cut plate (GT 502)	1	GT 814A
Econom CL (including 2 batteries)	Includes Upper cut plate (GT 505) and lower cut plate (GT 502)	1	GT816A

Technical Data

Noise Level:	<70 dB(A)	Weight:	1,250g
Battery Technology:	18V Lithium Ion	Supplied With:	Clipper, upper plate, lower plate, oil, charging station, lithium ion battery, hard case, screw driver, operating manual
Running Time:	70 mins (with 1 battery)	Application Range:	Horses

AESFULAP® ECONOM II CLIPPER

LARGE ANIMAL SHEARING MACHINE

Description		Box Size	Article No.
Econom II (cattle/horses)	Includes Upper cut plate (GT 501) and lower cut plate (GT 502)	1	GT 474A
Econom II (sheep)	Includes Upper cut plate (GT 578) and lower cut plate (GT 588)	1	GT 494A

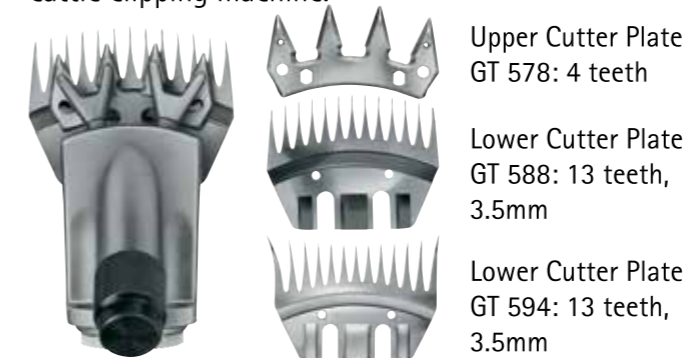
GT 367 Cutterhead and Cutter Plates for use on cattle/horses

Cutterhead alone, with upper cutter plate GT 501 and lower cutter plate GT 502, can also be connected to a sheep shearing machine.



GT 369 Cutterhead and Cutter Plates for use on sheep

Cutterhead alone, with upper cutter plate GT 578 and lower cutter plate GT 588, can also be connected to a cattle clipping machine.



Technical Data

Noise Level:	73 dB(A)	Weight (excl. cable):	1,200g
Rated Current:	200 Watts	Supplied With:	Clipper, upper plate, lower plate, oil, hard case, operating manual
Stroke Rate:	2,750/ min	Application Range:	Cattle, Horses, Sheep and large Dogs



AESCULAP® ECONOM CL

CORDLESS CATTLE CLIPPING MACHINE



Description	Box Size	Article No.
Econom CL (including 1 battery)	1	GT804A
Econom CL (including 2 batteries)	1	GT806A

Technical Data

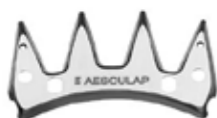
Noise Level:	<70 dB(A)	Weight:	1,250g
Battery Technology:	Lithium Ion	Supplied With:	Clipper, upper plate, lower plate, oil, charging station, lithium ion battery, hard case, screw driver, operating manual
Running Time:	70 mins (with 1 battery)	Application Range:	Cattle, Horses and Sheep

AESCULAP® ECONOM CL

PROFESSIONAL CORDLESS CLIPPERS



Description	Box Size	Article No.
Econom CL (including 1 battery)	1	GT804A
Econom CL (including 2 batteries)	1	GT806A



Upper Cutter Plate
GT 578: 4 teeth



Lower Cutter Plate
GT 588: 13 teeth, 3.5mm



Lower Cutter Plate
GT 594: 13 teeth, 3.5mm

Technical Data

Noise Level:	72 dB(A)	Weight:	1,470g
Battery Technology:	Lithium Ion	Supplied With:	Clipper, upper blade, lower blade, oil, hard case, operating manual
Running Time:	70 mins (with 1 battery)	Application Range:	Cattle, Horses and Sheep

AESCULAP® BONUM® CLIPPER

LARGE ANIMAL SHEARING MACHINE

Description	Colour	Battery	Blade	Article No.
Bonum® Cattle CL	Blue	1	GT501/GT205	GT644A -BL
Bonum® Cattle CL	Blue	2	GT501/GT502	GT646-BL
Bonum® Horse	Blue	1	GT505/GT502	GT654A-BL
Bonum® Horse	Rose	1	GT505/GT502	GT654A-RO
Bonum® Horse	Blue	2	GT505/GT502	GT656-BL
Bonum® Horse	Rose	1	GT505/GT502	GT656-RO
Spare Battery		1		GT641
Charging tray incl. power supply		1		GT643



15 Teeth



3 mm



25 Teeth



Technical Data

Noise Level:	65 db	Weight	900g
Battery Tech:	Lithium Ion	Supplied With:	1 or 2 batteries (depending on model) Charging station, blade set, instructions, oil and hard shell case
Running Time:	80 mn	Stroke Rate:	2,500 rpm
Charging Time:	55 min	Application Range:	Cattle, Horses, Sheep

